

Powerful, maintenance-free
3-phase AC drive motor

Manoeuvrable and compact

Sensitive lifting

Comfortable operation

LION
technology



EJC 110/112

Electric pedestrian controlled truck (1,000/1,200 kg)

The strength of the EJC series 1 pedestrian stackers lies in transporting over short distances and stacking and retrieving up to 4700 mm high. Due to its narrow width, the EJC can be manoeuvred particularly easily and safely even in confined spaces.

There is also the option to move the truck in crawl speed mode with the tiller in the upright position.

The 3-phase AC drive motor achieves optimum efficiency combined with the electronic controller developed by us. This enables us to achieve outstanding performance with low energy consumption – the best conditions for rapid and efficient goods throughput.

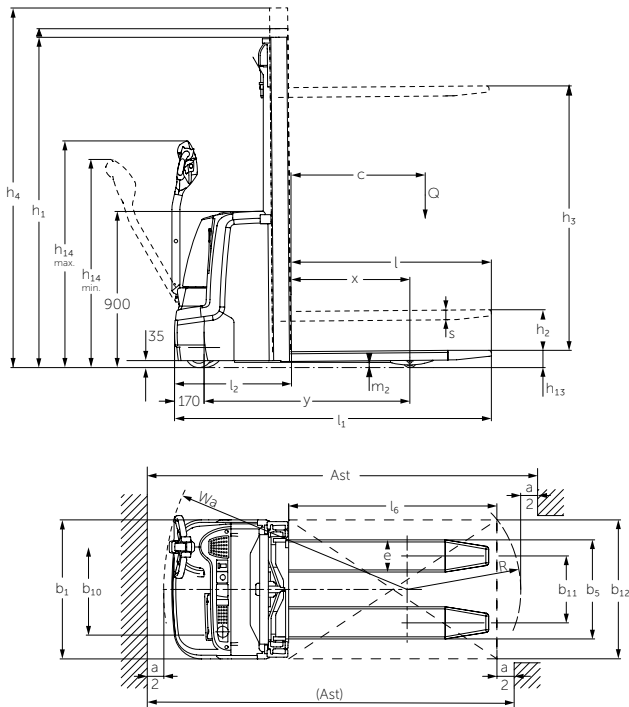
Operators can take advantage of the precise raising and gentle lowering of loads (optional with EJC 110). Gentle stacking of large loads is made possible by the controlled lifting motor and the handy buttons on the tiller arm.

The EJC 110/112 draw their required energy from batteries with capacities of up to 200 Ah. An integrated and moisture/dust-resistant battery charger (optional) allows simple recharging of the battery at any 230 V socket. This charger is also optionally available with a rapid charging function.

Practical storage compartments on the dashboard and on the front of the truck ensure that all the tools and equipment you may need, such as pens, knives or documents, are within easy reach.

JUNGHEINRICH

EJC 110/112



| Standard mast designs EJC 110/112 | | | | | | | |
|-----------------------------------|-----------------------|--|---------|----------------------------|---------|---------------------------------------|---------|
| | Lift h_3 (mm) | Lowered mast height ¹⁾ h_1 (mm) | | Free lift h_2 (mm) | | Extended mast height h_4 (mm) | |
| | | EJC 110 | EJC 112 | EJC 110 | EJC 112 | EJC 110 | EJC 112 |
| Duplex ZT | 2500 | 1750 | 1750 | 100 | 100 | 2975 | 2975 |
| | 2700 | 1850 | 1850 | 100 | 100 | 3175 | 3175 |
| | 2900 | 1950 | 1950 | 100 | 100 | 3375 | 3375 |
| | 3200 | 2100 | 2100 | 100 | 100 | 3675 | 3675 |
| | 3600 | 2300 | 2300 | 100 | 100 | 4075 | 4075 |
| | 4100 | - | 2550 | - | 100 | - | 4575 |
| Duplex ZZ | 4300 | - | 2650 | - | 100 | - | 4775 |
| | 2500 | 1700 | 1700 | 1225 | 1225 | 2975 | 2975 |
| | 2900 | 1900 | 1900 | 1425 | 1425 | 3375 | 3375 |
| | 3200 | 2050 | 2050 | 1575 | 1575 | 3675 | 3675 |
| | 3600 | 2250 | 2250 | 1775 | 1775 | 4075 | 4075 |
| Triplex DZ | 4100 | - | 2500 | - | 2025 | - | 4575 |
| | 4300 | - | 2600 | - | 2125 | - | 4775 |
| | 4090 | 1845 | 1845 | 1338 | 1338 | 4597 | 4597 |
| | 4300 | 1915 | 1915 | 1408 | 1408 | 4807 | 4807 |
| | 4700 | - | 2050 | - | 1543 | - | 5212 |

¹⁾ with 100 mm free lift

Technical data in line with VDI 2198

| | | | | Jungheinrich | | | |
|------------------|---|--|--|---|---------------------------|---------------------|--|
| Identification | 1.1 | Manufacturer (abbreviation) | | EJC 110 ³⁾ EJC 112 ³⁾ | | | |
| | 1.2 | Model | | Electric | | | |
| | 1.3 | Drive | | pedestrian | | | |
| | 1.4 | Manual, pedestrian, stand-on, seated, order picker operation | | | | | |
| | 1.5 | Load capacity/rated load | Q | t | 1 | 1.2 | |
| | 1.6 | Load centre distance | c | mm | 600 | | |
| | 1.8 | Load distance | x | mm | 681 | 688 | |
| | 1.9 | Wheelbase | y | mm | 1,184 | 1,191 | |
| | Weights | 2.1.1 | Net weight incl. battery (see row 6.5) | | kg | 750 830 | |
| 2.2 | | Axle loading, laden front/rear | | kg | 570 / 1,180 650 / 1,380 | | |
| 2.3 | | Axle loading, unladen front/rear | | kg | 510 / 240 580 / 250 | | |
| Wheels / frame | 3.1 | Tyres | | PU | | | |
| | 3.2 | Tyre size, front | | Ø 230 x 70 | | | |
| | 3.3 | Tyre size, rear | | Ø 77 x 75 | Ø 85 x 110 | | |
| | 3.4 | Additional wheels (dimensions) | | Ø 150 x 54 | Ø 140 x 54 | | |
| | 3.5 | Wheels, number front/rear (x = driven wheels) | | 1x +1/2 or 4 | | | |
| | 3.6 | Tread width, front | b ₁₀ | mm | 507 | | |
| | 3.7 | Tread width, rear | b ₁₁ | mm | 415 | 400 | |
| Basic dimensions | 4.2 | Mast height (lowered) | | h ₁ | mm | 1,950 | |
| | 4.3 | Free lift | | h ₂ | mm | 100 | |
| | 4.4 | Lift | | h ₃ | mm | 2,900 | |
| | 4.5 | Extended mast height | | h ₄ | mm | 3,375 | |
| | 4.9 | Height of tiller in drive position min. / max. | | h ₁₄ | mm | 850 / 1,305 | |
| | 4.15 | Height, lowered | | h ₁₃ | mm | 90 | |
| | 4.19 | Overall length | | l ₁ | mm | 1,822 | |
| | 4.20 | Length to face of forks | | l ₂ | mm | 672 | |
| | 4.21 | Overall width | | b ₁ /b ₂ | mm | 800 | |
| | 4.22 | Fork dimensions | | s/e/l | mm | 56 / 185 / 1,150 | |
| | 4.25 | Width across forks | | b ₅ | mm | 570 | |
| | 4.32 | Ground clearance, centre of wheelbase | | m ₂ | mm | 30 | |
| | 4.33 | Aisle width for pallets 1000 x 1200 crossways | | Ast | mm | 2,071 ²⁾ | |
| 4.34 | Aisle width for pallets 800 x 1200 lengthways | | Ast | mm | 2,121 ¹⁾ | | |
| 4.35 | Turning radius | | W _a | mm | 1,402 1,409 | | |
| Performance data | 5.1 | Travel speed, laden/unladen | | km/h | 6 / 6 | | |
| | 5.2 | Lift speed, laden/unladen | | m/s | 0.12 / 0.22 | 0.13 / 0.22 | |
| | 5.3 | Lowering speed, laden/unladen | | m/s | 0.33 / 0.33 | 0.43 / 0.37 | |
| | 5.8 | Max. gradeability, laden/unladen | | % | 8 / 16 | | |
| | 5.10 | Service brake | | regenerative | | | |
| Electrics | 6.1 | Drive motor, output S2 60 min. | | kW | 1.0 | | |
| | 6.2 | Lift motor, output at S3 10% | | kW | 1.7 | 0 | |
| | 6.2 | Lift motor, output at S3 (on time) 12% | | kW | 0 | 2 | |
| | 6.3 | Battery as per DIN 43531/35/36 A, B, C, no | | British Standard | | | |
| | 6.4 | Battery voltage/nominal capacity K5 | | V/Ah | 24 / 200 | | |
| | 6.5 | Battery weight | | kg | 185 | | |
| | 6.6 | Energy consumption as per EN 16796 | | kWh/h | 0.61 | 0.66 | |
| | CO- Equivalent as per EN 16796 | | kg/h | 0.3 | 0.4 | | |
| Misc. | 8.1 | Type of drive control | | AC speedCONTROL | | | |
| | 8.4 | Sound pressure level at operator's ear as per EN 12053 | | dB (A) | 62 | | |

¹⁾ Diagonal as per VDI: + 137 mm

²⁾ Diagonal as per VDI: + 212 mm

³⁾ Values for 290 ZT standard mast with battery

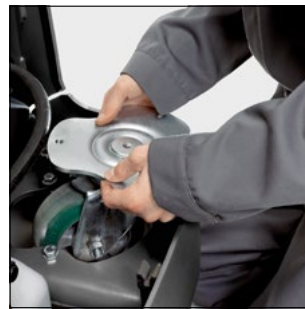
Benefit from the advantages



Excellent view of the load for precise positioning



Good storage options for pens, tools and documents



The support wheel is easy to replace, lowering maintenance costs

Innovative drive and control technology

Greater performance while simultaneously reducing operating costs using three-phase AC motors with perfect match to the controller developed in house by Jungheinrich. The advantages are:

- High efficiency levels with excellent energy management.
- Powerful acceleration.
- Rapid direction change.
- Maintenance-free drive motor.

Manoeuvrable and compact

Due to the short aisle width, optimum use is also possible without difficulty, even in confined spaces. If necessary, it is possible to continue working safely with the tiller upright and the crawl speed button pressed.

Precise and comfortable stacking and retrieval

Especially safe and efficient stacking and retrieval due to:

- Precise and gentle lifting of the load by means of speed-controlled hydraulic motor.
- Gentle depositing of the load via 2-stage lowering speed (EJC 110) and proportional hydraulics (EJC 112, optional with EJC 110).
- Long safety tiller provides sufficient distance between operator and truck.

- Less noise produced with slow lifting via lift control.

Practical storage compartments

The EJC 110/112 offer plenty of storage space for keeping tools and equipment:

- Paper compartment in the front panel.
- Storage compartments in the dashboard panel.
- Clip pad (in combination with the optional metal cover).

Service-friendly technology

- Service access ports in the front apron allow solid tyres to be changed quickly.
- Support wheel with bayonet mechanism enables wheels to be changed with the truck only slightly raised.
- Tiller electronics sealed to protect against moisture and dirt as per IP 65.
- Electronic controls and built-in charger (optional) sealed to protect against moisture and dirt as per IP 54.

Long operating period with lead-acid battery

- Long service life with battery capacities up to 200 Ah.
- Built-in battery charger (optional) for straightforward charging at any standard 230-V socket (also available with rapid charging function for charging within a shift).

Fully informed at all times

The 2-inch display (optional) as the main display and setting instrument offers user control at a glance:

- Battery charge status, number of operating hours and event messages.
- Choice of 3 travel programs.
- Activation of the truck by EasyAccess via softkey, PIN code transponder card (optional).

Additional equipment

- CanDis: Discharge indicator and hour meter.
- CanCode: Access control via PIN.
- Load guard.
- Connection option e.g. for terminal, scanner or printer.
- Particularly robust metal battery lid for heavy-duty applications.
- Cold store version.

Lithium-ion technology

- High degree of availability thanks to extremely short charging times.
- No battery exchange required.
- Cost savings due to longer service life and low maintenance compared with lead-acid batteries.
- No charging rooms and ventilation required as there is no build up of gas.
- Longer service life with 5-year Jungheinrich guarantee.

ТОВ «СКЛАД ПЛЮС»

вул. Бориспільська, 7 офіс 306,
м.Київ, 02099

+38 044 224-75-28

+38 098 108-80-20

+38 066 022-44-24

+38 063 491-71-61

sklad-plus.com.ua

The logo for Jungheinrich, featuring a red upward-pointing arrow above the word 'JUNGHEINRICH' in a bold, black, sans-serif font.